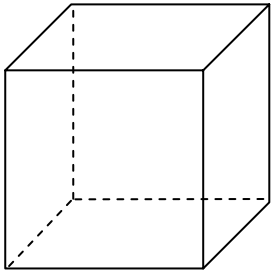
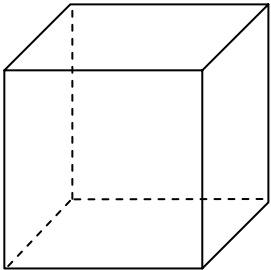
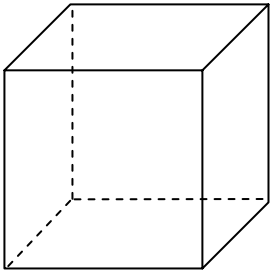


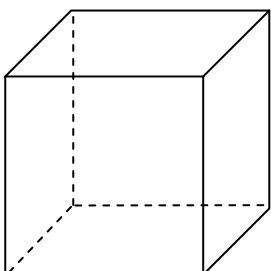
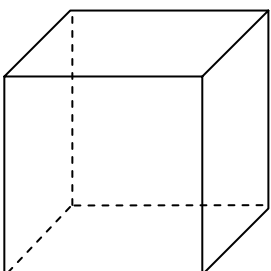
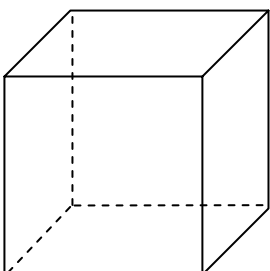
Create stamps by cutting cubes with a plane

First Grade Class No. Name:

While you carry out various experiments, observe what surface shapes can be created and what planes and cutting methods are used to create the cut surfaces.

Write down as many as possible of the cut surfaces you have observed.

		
A cut surface figure <input type="text"/>	A cut surface figure <input type="text"/>	A cut surface figure <input type="text"/>

		
A cut surface figure <input type="text"/>	A cut surface figure <input type="text"/>	A cut surface figure <input type="text"/>

What kinds of cut surface figures can and can not be created?

