

Think about why a regular pentagon cannot be created (2)

First Grade Class No. Name:

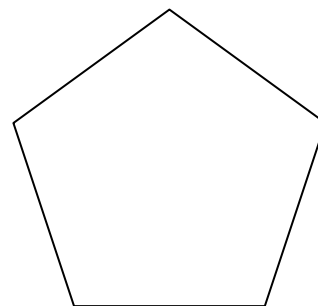
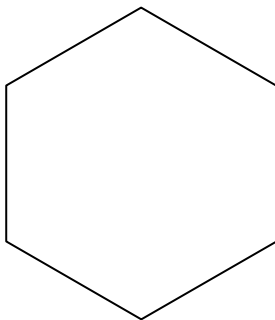
When a cube is cut with a plane, is it impossible to create a regular pentagon-shaped cut surface regardless of how it is cut?

This is the point!

A regular hexagon was created, but it does indeed appear to be impossible to create a regular pentagon.

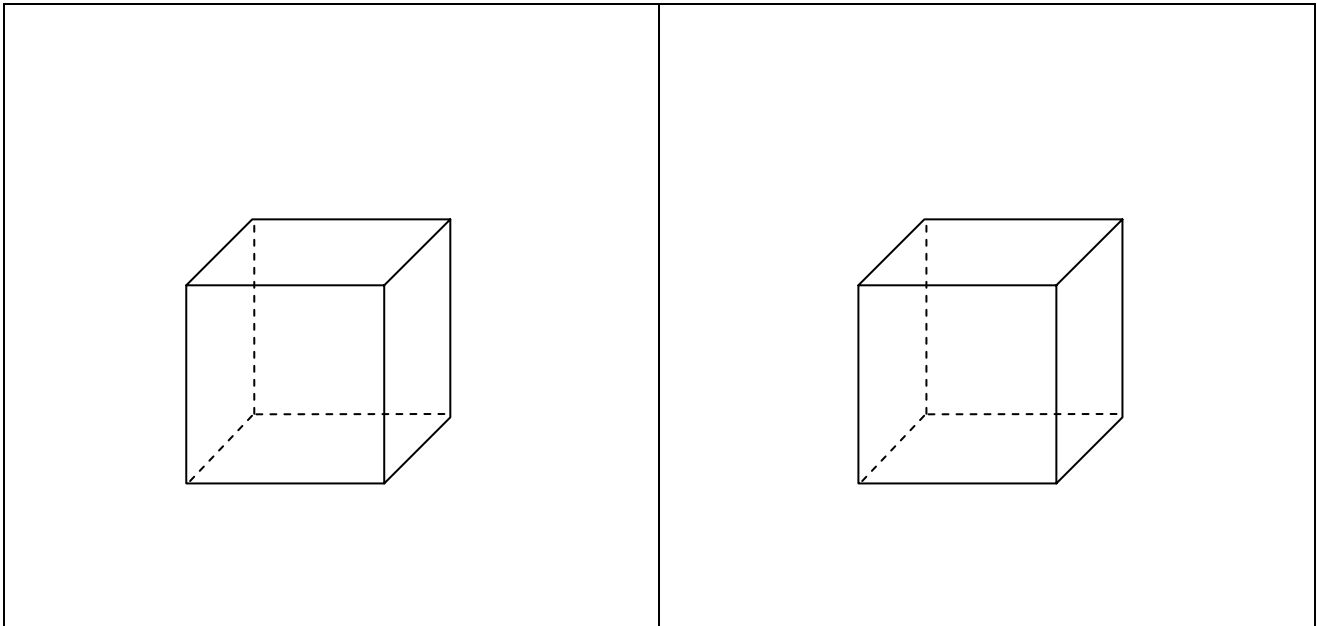
Regarding a regular hexagon and a regular pentagon, think about each figure's characteristics and where they differ from each other.

[Noticed points]



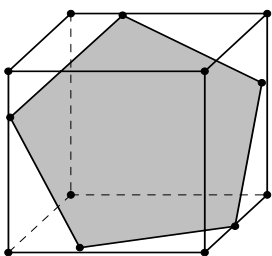
Regarding a regular hexagon and a regular pentagon, write down what you noticed about each figure's characteristics and where they differ from each other.

Regarding a regular hexagon and a regular pentagon, refer to each figure's characteristics and where they differ from each other, and observe the figures with Cabri 3D. In addition, summarize (a) reason(s) why a regular pentagon can not be created.



Explain the reason(s) why the regular pentagon can not be created.

[Learning impressions]



This figure too is supposedly strange in some way. Do you know what the strange part is?

First Grade Class No. Name:

A regular pentagon???